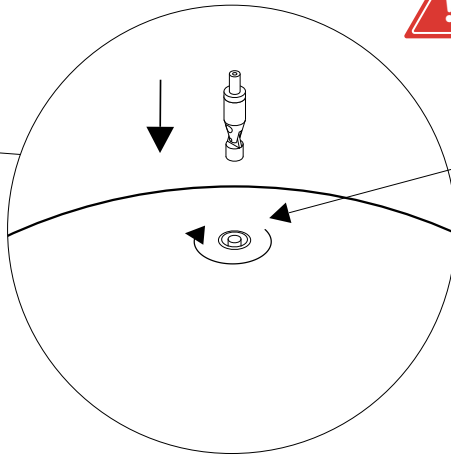
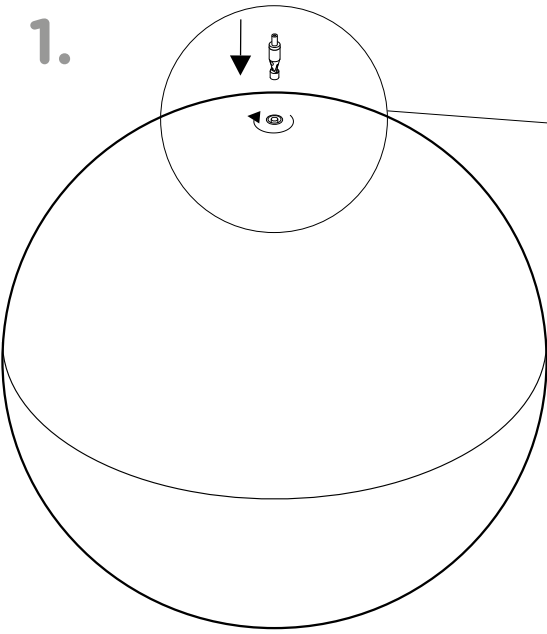
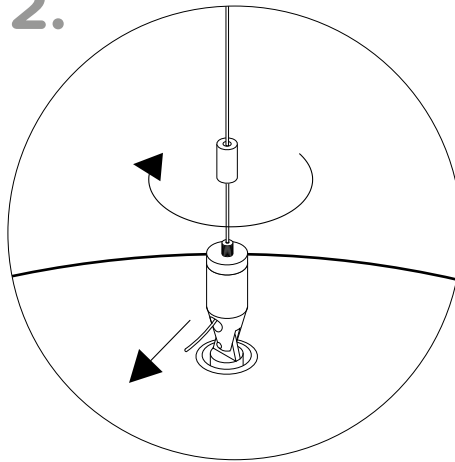


1.

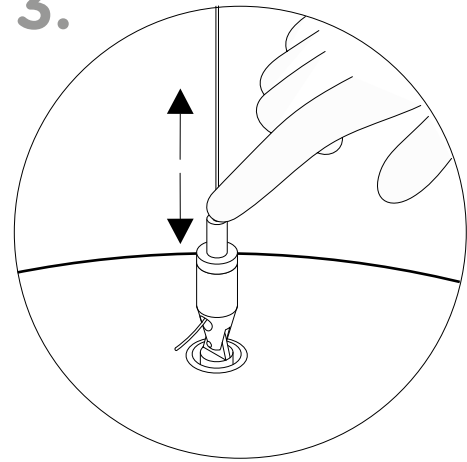


TIPS:
USE A "LOCTITE"
TYPE THREADLOCK
GLUE

2.



3.



SOFFITTO | CEILING | PLAFOND

4.

