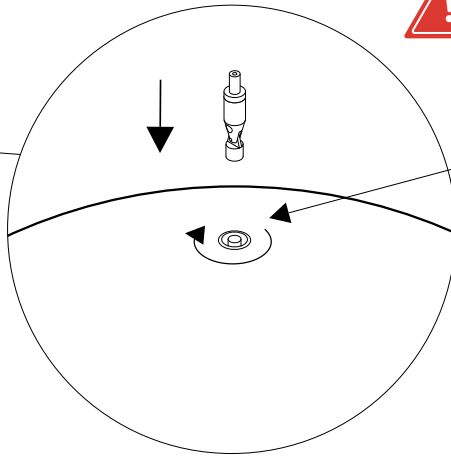
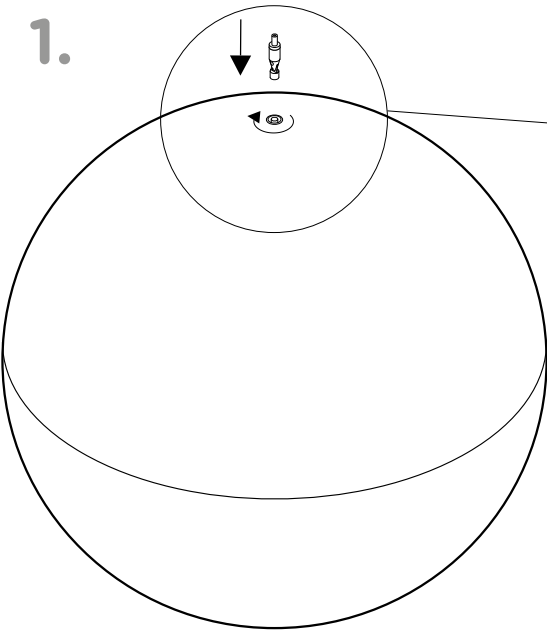
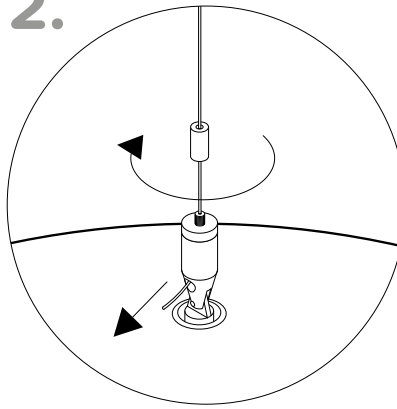


1.

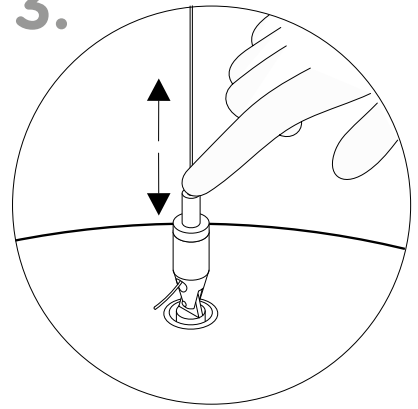


TIPS:  
USE A "LOCTITE"  
TYPE THREADLOCK  
GLUE

2.

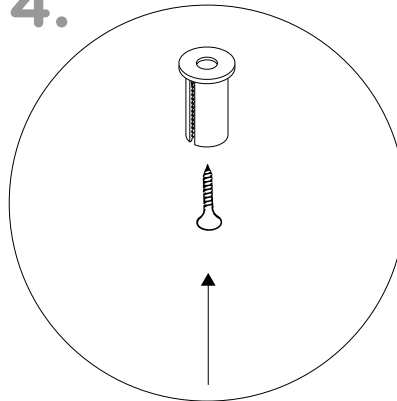


3.

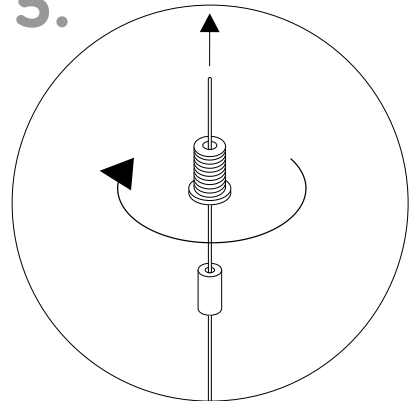


SOFFITTO | CEILING | PLAFOND

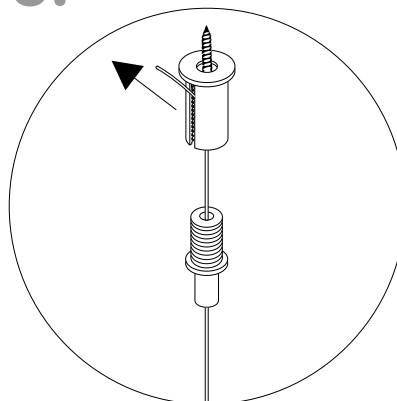
4.



5.



6.



7.

